



Stainless Steel

- ST-2000
- ST-2001
- ST-2002
- ST-2003
- ST-2004
- ST-2013
- ST-2014
- ST-2015

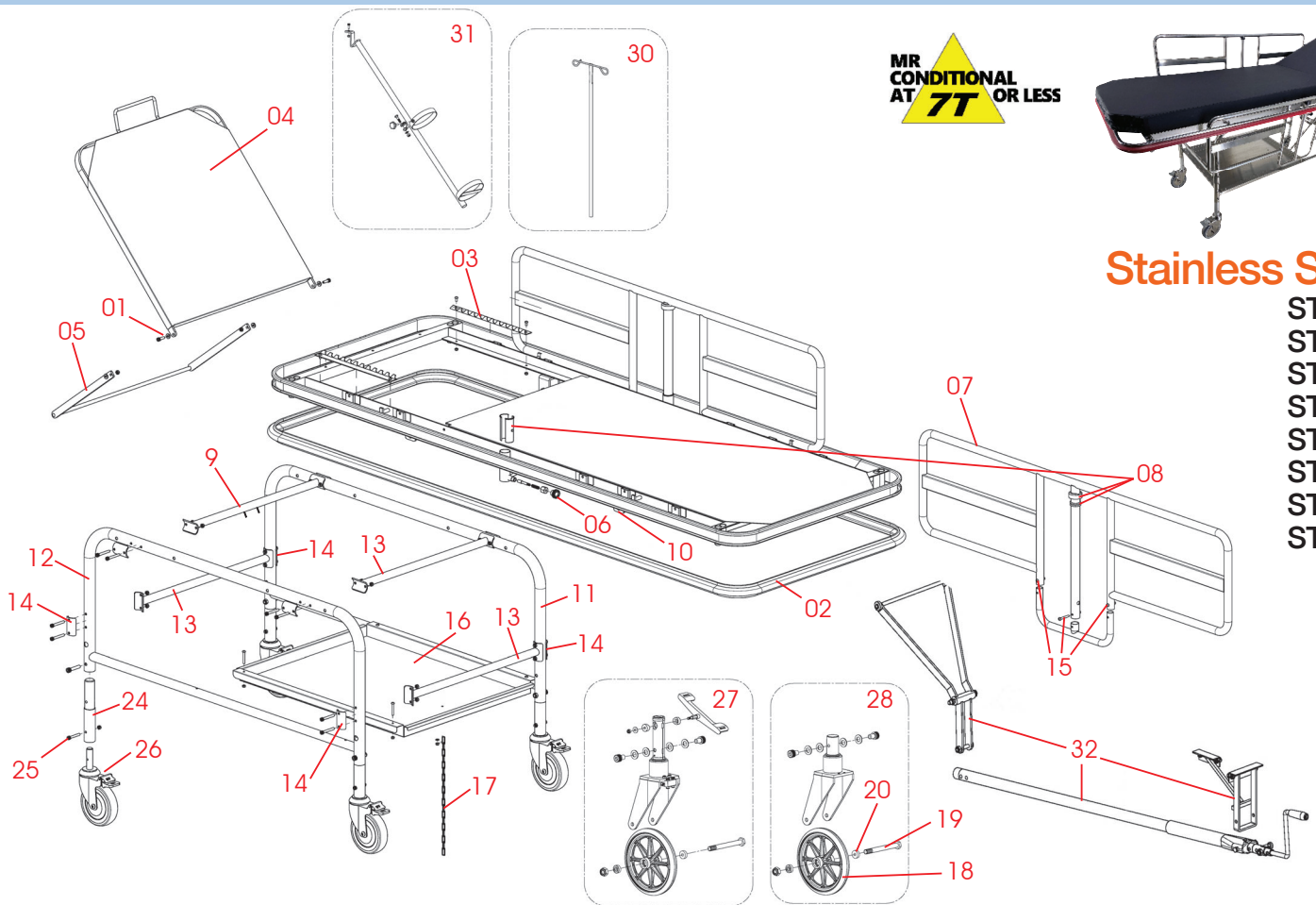


Fig	Model	Description	Price
01	ST-2734	Attaching Bolts for Head Support, Set of 2	\$18.46 set
02	ST-2702	Red Stretcher Bumper	\$197.40 ea.
03	ST-2703	Latch Strip w/ Attaching Hardware	\$56.69 ea.
04	ST-2704	Back w/ Attaching Hardware	\$375.00 ea.
05	ST-2705	Back Support	\$176.78 ea.
06	ST-2733	Release Knob Complete for Side Rail	\$29.66 ea.
07	ST-2709 ST-2454 ST-2453	Side Rail Complete, Serial Number STR-00711 & Up Serial Numbers STR00741 - STR00770 Serial Numbers STR00001 - STR00740	\$590.00 ea. \$590.00 ea. \$590.00 ea.
08	ST-2635	Plastic Bushing Set, for Side Rail Vertical Tube	\$13.84 ea.
09	ST-2724	Frame Cross Tube Support for Fowler Crank Position Bolt	\$131.11 ea.
10	ST-2714	Hex Bolt and Nut for Main Frame Stainless Steel	\$39.72 ea.
11	ST-2711-L	Stretcher Main Frame, Left *	\$500.00 ea.
12	ST-2711-R	Stretcher Main Frame, Right *	\$500.00 ea.
13	ST-2713	Frame Cross Tube Support	\$105.13 ea.
14	ST-2815	U Shape Frame Support Brace, with Hardware	\$43.51 ea.
15	ST-2810	Railing Screws set for 1 Rail	\$19.78 set

Fig	Model	Description	Price
16	ST-2716	Utility Shelf	\$297.00 ea.
17	ST-2717	Chain w/ Screw	\$39.55 ea.
18	RP-1010	8" Caster Wheel w/ Bearings	\$31.64 ea.
19	RP-1014	8" Caster Axle	\$15.16 ea.
20	RP-1011	8" Caster Bearings	\$10.55 ea.
24	ST-2754	Adapter for Stretcher Leg, w/ Attaching Hardware	\$60.84 ea.
25	ST-2715	Attaching Bolt and Nut for Caster	\$16.03 ea.
26	ST-2753	5" Caster w/ Brake, Complete	\$178.24 ea.
27	ST-2755	8" Caster w/ Brake and Pedal, Complete	\$453.00 ea.
28	ST-2756	8" Caster Complete	\$338.00 ea.
30	ST-2006	IV Pole for Stretcher	\$254.00 ea.
31	ST-2009	O2 Tank Holder for E Cylinder Tanks	\$300.00 ea.
32	ST-2460	Complete Crank Assembly	\$623.00 ea.
	ST-2005-CL	Replacement Stretcher Pad **	\$394.00 ea.
	ST-2008	Safety Straps, Set of 3	\$137.92 set
	ST-2007-CL	Rail Pads, Pair **	\$232.00 pr

* Determine Left or Right when Laying on the Stretcher

** Upholstery Colors: 10-Burgundy Naugahyde, 50-Green Naugahyde, 46-Black Fusion